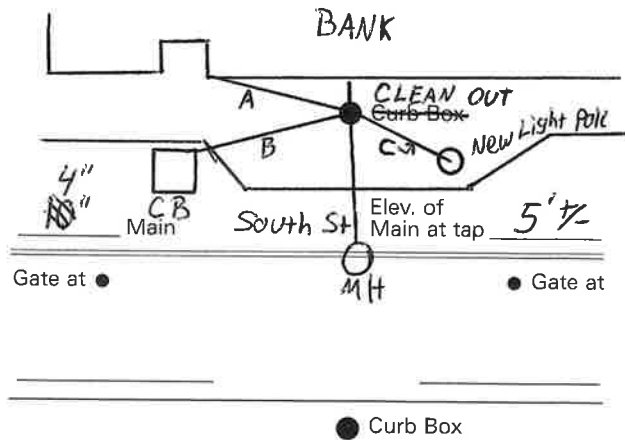


LABOR AND MATERIALS

Copper } Connection _____ \$ _____
 Lead }
 Curb } Cock } _____ in. \$ _____
 Valve } T.S. & V. }
 Service box { Short 3-1/2 x 4-1/2 } _____ \$ _____
 Old returned { Long 4-1/2 x 5-1/2 }
 Ft. _____ in. { Copper } Pipe at _____ \$ _____
 { G.I. }
 { C.I. }
 Nipples _____ in. at _____ \$ _____
 Bushings _____ to _____ in. at _____ \$ _____
 Red'g _____
 Inc'g _____
 Union _____ in. at _____ \$ _____
 Meter _____ in. at _____ \$ _____
 _____ \$ _____
 Compound Joints at _____ \$ _____
 Maintenance Foreman _____ \$ _____
 Hrs. Water Maint. Man - 1 at _____ \$ _____
 Hrs. Water Maint. Man - 2 at _____ \$ _____
 Hrs. Garage Foreman _____ at _____ \$ _____
 Hrs. Labor _____ at _____ \$ _____
 Hrs. Compressor at _____ \$ _____
 _____ \$ _____
 Trucking _____ \$ _____
 Pav't Patch _____ \$ _____
 _____ \$ _____
 _____ \$ _____
 _____ \$ _____
 _____ \$ _____

St. _____
 Pl. _____
 Ave. No. 20
 Name of Owner
Glens Falls National Bank Sewer
 Labor and Mat'l. Report ~~to~~ 3/28/12

A = 17'-3"
 B = 20'-3"
 C = 13'-6"



TAX ID # 302.20-28-16